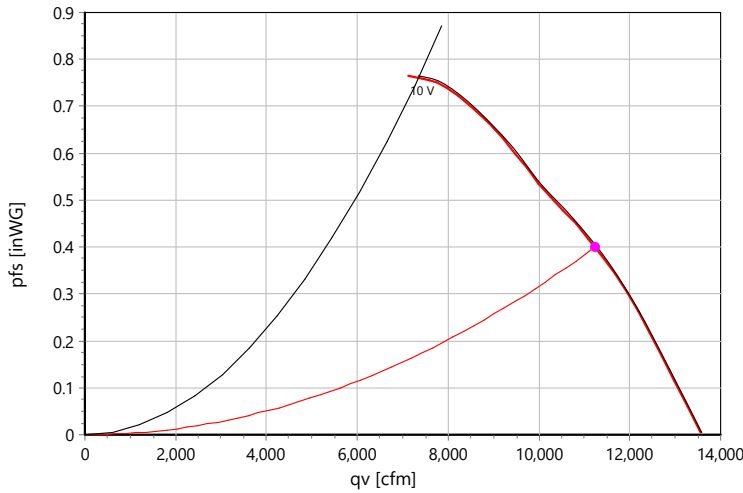




Axial Fan
Type: **AKFG 800 K.6FF A6 Gen3**
Art.-No.: E66-80670



Curve:



p: 1.21 kg/m³; Data @ 230 V

Operating Point:

q _v	11237	cfm
p _{fs}	0.4	inWG
p _{fd}	0.3	inWG
η _{ed,fs}	35	%
η _{ed,tot}	58	%
P _{ed}	1.54	kW
I	4	A
n	928	r/min
L _{WA A,IN}	79	dB(A)
U _c	9.6	V
v	34.9	ft/s
SFP	292	Ws/m ³
FEI	1.4	
t _{R,OP}	60	°C

ErP-Data:

(EU) Nr. 327/2011	(Lot11)	
q _v	9147	cfm
p _{fs}	0.607	inWG
η _{ed,fs}	43	%
P _{ed}	1.63	kW
n	930	r/min
N	48	
v	28.4	ft/s

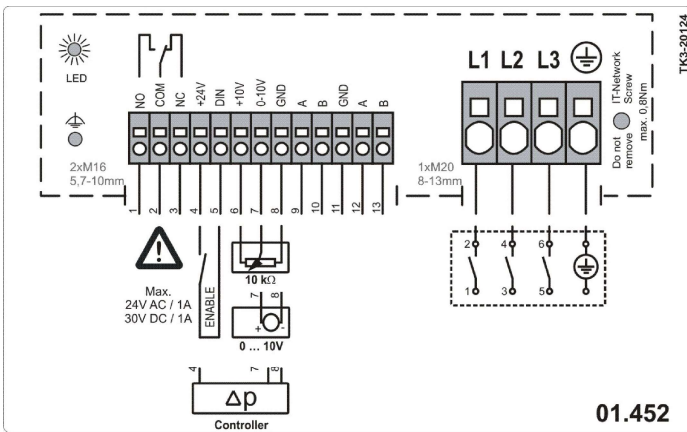
Nominal Data:

U [V]	f [Hz]	Data @ [V]	P _{ed} [kW]	I _N [A]	n _N [r/min]	t _R [°C]	k ₁₀ [m ² /h]	Eff.-Rating	IP	m [kg]
3~200-240	50/60	230	1.71	4.6	930	60	-	IE5	IP 54	43

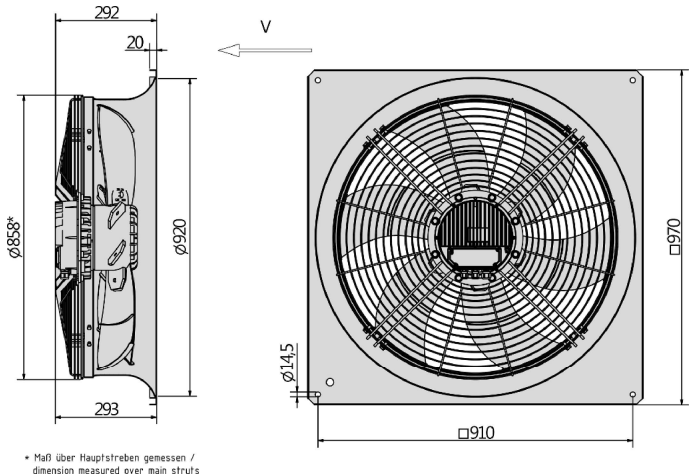
Sound Data:

Frequency	Σ	125Hz	250Hz	500Hz	1kHz	2kHz	4kHz	8kHz	Distances	1 m	4 m
L _{wA(A,in)} [dB(A)]	79	60	66	72	75	73	67	63	L _{pA(A,in)} [dB(A)]	72	61

Wiring Diagram:



Drawing:



Data @ 208V: 1,7 kW; 5,1 A; 920 1/min